

TECHNICAL SPECIFICATION

High Velocity Gas Combustion Burner Set

High Velocity Gas Burners

Stork Cooperheat have led the way in developing high velocity gas equipment for:

- Heat treatment of vessels and spheres, by internal firing
- Drying out of refractory linings,
- Use as the thermal power source in temporary heat treatment furnaces.



When used in internal firings or in temporary furnaces, even heat distribution of the load is achieved by the process of the hot gases swirling around the inside of the vessel or furnace which actively scrub the load being heat treated. The burner has an exceptional turndown characteristic that can provide, high volume low temperature conditions which are essential at the beginning of the heat treatment cycle.

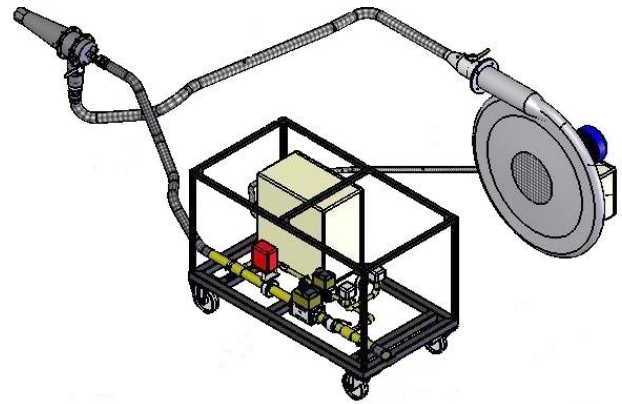
Constructed from high grade stainless steel the 1,758 kW (six million BTU/hr) burner, combined with the Cooperheat gas train, enables sensitive temperature control..



Item	Stock No.
Complete Set (one each of the below)	6500
Gas Burner 1,758 kW	6510
Fan	6530
Plus either:	
Gas Train : Manual Control	6520
Gas Train :Automatic control	6525

The 1,758 kW (six million BTU/hr) burner has a high turn down ratio of (up to) 50 to 1 (50:1) which provides for excellent temperature control.

We can supply burner systems from 587 kW (two million BTU/Hr) up to 2,344 kW (eight million BTU/Hr)



Safety

The gas control train, incorporates the following safety systems.

- Flame failure,
- High/Low Gas Pressure Cut Off,
- Automatic Air-Gas Ratio Modulator